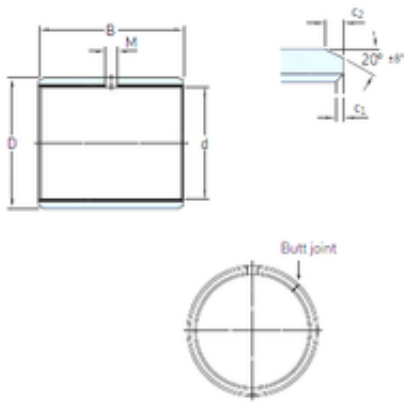




Air Suspension Bearing Co., Ltd

88,9 mm x 93,663 mm x 95,25 mm SKF PCZ
5660 E plain bearings

Bearing No. PCZ 5660 E



PCZ 5660 E Bearing 2D drawings and 3D CAD models

Size	88.9x93.663x95.25 mm
Bore Diameter	88,9 mm
Outer Diameter	93,663 mm
Width	95,25 mm
d	88,9 mm
D	93,663 mm
B	95,25 mm
c1 min	0,2 mm
c2 min	1,2 mm
M	– mm
Weight	0,495 Kg
Basic dynamic load rating (C)	670 kN
c ₁ min.	0.2 mm
c ₁ max.	1 mm
c ₂ min.	1.2 mm
c ₂ max.	2.4 mm
± 8	20 °
Shaft diameter range min.	88.844 mm
Shaft diameter range max.	88.9 mm
Housing bore range min.	93.619 mm
Housing bore range max.	93.655 mm
Basic dynamic load rating - radial direction C	670 kN
Basic static load rating - radial direction C ₀	2080 kN



Air Suspension Bearing Co., Ltd

Specific dynamic load factor K	80 N/mm ²
Specific static load factor K ₀	250 N/mm ²
Factor depending on material and bearing type K _M	480
Permissible sliding velocity v min.	0 m/s
Permissible sliding velocity v max.	2 m/s
Coefficient of friction μ min.	0.03
Coefficient of friction μ max.	0.25
Mass bushing	0.49 kg