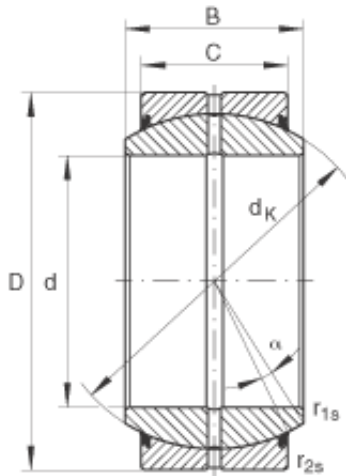




Air Suspension Bearing Co., Ltd



GE40-DO-2RS Bearing 2D drawings and 3D CAD models

INA GE40-DO-2RS plain bearings

Bearing No. GE40-DO-2RS

Size	40x62x28 mm
Bore Diameter	40 mm
Outer Diameter	62 mm
Width	28 mm
C	22 mm
D _{a min}	51 mm
d _{a max}	45 mm
d _K	53 mm
r _{1s min}	0,6 mm
r _{2s min}	1 mm
alf (°)	7
Weight (kg)	0,3
C _r (N)	99100
C _{0r} (N)	496000
Category	Spherical Plain Bearings - Radial
Inventory	0.0
Manufacturer Name	SCHAEFFLER GROUP
Minimum Buy Quantity	N/A
Weight / Kilogram	0
EAN	4012802530384
Product Group	B04120
Component	Complete with Outer and Inner Ring
Self Aligning	Yes
Rolling Element	Spherical Plain Bearing



Air Suspension Bearing Co., Ltd

Material - Outer Member	Steel
Material - Ball	Steel
Material - Liner	Not Applicable
Relubricatable	Yes
Enclosure	2 Seals
Other Features	2 Piece Axially Split Outer Ring
Long Description	40MM Bore; 22MM Housing Width; 62MM Outside Diameter; Complete with Outer and Inner Ring; Self Aligning; Spherical Plain Bearing; Steel Outer Member; Steel Ball; 2 Seals; 28MM Overall Width; Relubrica
Inch - Metric	Metric
Category	Plain Bearings Spherical Radial
UNSPSC	31171515
Harmonized Tariff Code	8483.30.80.70
Noun	Bearing
Keyword 3	Spherical
Keyword String	Plain Radial Spherical
Manufacturer URL	http://www.ina.com
Manufacturer Item Number	GE40DO2RS
Weight / LBS	0.662
Housing Width	0.866 Inch 22 Millimeter
Bore	1.575 Inch 40 Millimeter
Overall Width	1.102 Inch 28 Millimeter
Outside Diameter	2.441 Inch 62 Millimeter