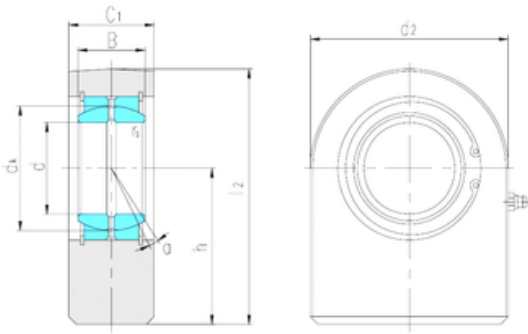




Air Suspension Bearing Co., Ltd



LS SF15ES plain bearings

Bearing No. SF15ES

Bore Diameter	15 mm
d	15 mm
B	12 mm
d2	45 mm
dk	22 mm
h	31 mm
l2 max.	53,5 mm
r5 min.	0,3 mm
C1	16 mm
Angle	8 °
Weight	0,22 Kg
Basic dynamic load rating (C)	16 kN

SF15ES Bearing 2D drawings and 3D CAD models