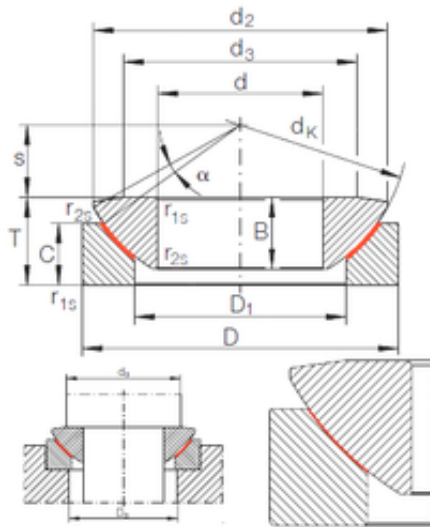




# Air Suspension Bearing Co., Ltd



360 mm x 560 mm x 115 mm INA GE 360 AW  
plain bearings

Bearing No. GE 360 AW

Size	360x560x125 mm
Bore Diameter	360 mm
Outer Diameter	560 mm
Width	125 mm
d	360 mm
D	560 mm
T	125 mm
B	115 mm
C	95 mm
d2	535 mm
d3	452 mm
dk	575 mm
r1 min.	4 mm
r2 min.	1,1 mm
D1	400 mm
S	95 mm
da max	452 mm
Da min	422 mm
Angle	4 °
Weight	132 Kg
Basic dynamic load rating (C)	25470 kN

GE 360 AW Bearing 2D drawings and 3D CAD models