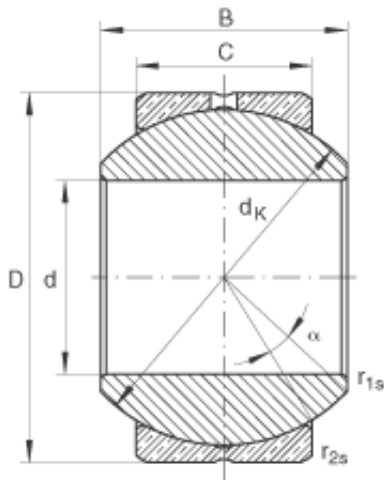




Air Suspension Bearing Co., Ltd



GE10-PB Bearing 2D drawings and 3D CAD models

INA GE10-PB plain bearings

Bearing No. GE10-PB

Size	10x22x14 mm
Bore Diameter	10 mm
Outer Diameter	22 mm
Width	14 mm
C	10,5 mm
$D_{a \min}$	17 mm
$d_{a \max}$	12,9 mm
d_K	19,05 mm
$r_{1s \min}$	0,3 mm
$r_{2s \min}$	0,3 mm
alf (°)	13
Weight (kg)	0,027
C_r (N)	10000
C_{Or} (N)	25000
Category	Spherical Plain Bearings - Radial
Inventory	0.0
Manufacturer Name	SCHAEFFLER GROUP
Minimum Buy Quantity	N/A
Weight / Kilogram	0.036
EAN	4012802532920
Product Group	B04264
Self Aligning	Yes
Rolling Element	Spherical Plain
Material - Outer Member	Steel
Material - Ball	Steel



Air Suspension Bearing Co., Ltd

Material - Liner	Bronze
Relubricatable	Yes
Enclosure	Open
Other Features	3 Piece
Long Description	10MM Bore; 10.5MM Housing Width; 22MM Outside Diameter; Spherical Plain; Steel Outer Member; Steel Ball; Bronze Liner; 14MM Overall Width; Relubricatable
Inch - Metric	Metric
Category	Plain Bearings Spherical Radial
UNSPSC	31171515
Harmonized Tariff Code	8483.30.80.70
Noun	Bearing
Keyword 3	Spherical
Keyword String	Plain Spherical Radial
Manufacturer URL	http://www.ina.com
Manufacturer Item Number	GE10PB
Weight / LBS	0.06
Outside Diameter	0.866 Inch 22 Millimeter
Housing Width	0.413 Inch 10.5 Millimeter
Bore	0.394 Inch 10 Millimeter
Overall Width	0.551 Inch 14 Millimeter