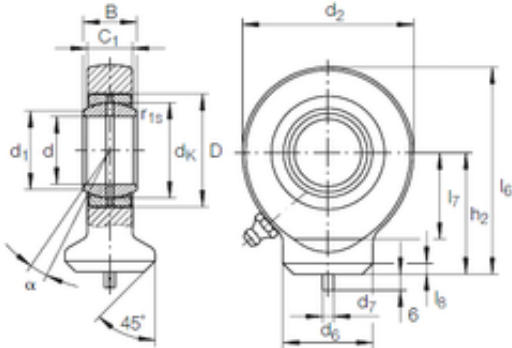




Air Suspension Bearing Co., Ltd

20 mm x 35 mm x 16 mm INA GK 20 DO plain bearings



Bearing No. GK 20 DO

GK 20 DO Bearing 2D drawings and 3D CAD models

Size	20x35x16 mm
Bore Diameter	20 mm
Outer Diameter	35 mm
Width	16 mm
d	20 mm
D	35 mm
B	16 mm
d7	4 mm
d1	24,1 mm
d2	53 mm
d6	27,5 mm
dk	29 mm
h2	38 mm
l6 max.	64,5 mm
l7 min.	27 mm
l8	3 mm
r1 min.	0,3 mm
C1	13 mm
Angle	9 °
Weight	0,23 Kg
Basic dynamic load rating (C)	30 kN