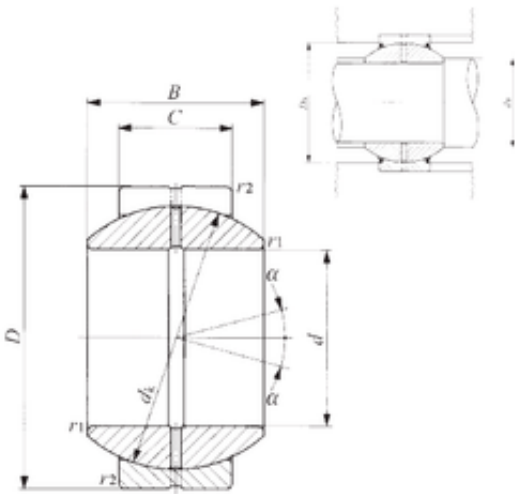




# Air Suspension Bearing Co., Ltd

## 220 mm x 340 mm x 175 mm IKO GE 220GS plain bearings



Bearing No. GE 220GS

Size	220x340x175 mm
Bore Diameter	220 mm
Outer Diameter	340 mm
Width	175 mm
d	220 mm
D	340 mm
B	175 mm
C	100 mm
dk	300 mm
r1 min.	1,1 mm
r2 min.	1,1 mm
da min.	227 mm
da max	243,5 mm
Da min	333 mm
Da max.	296 mm
Angle	16 °
Weight	51,3 Kg
Basic dynamic load rating (C)	2940 kN

GE 220GS Bearing 2D drawings and 3D CAD models