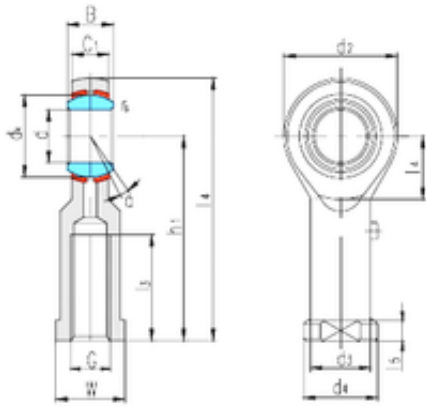




Air Suspension Bearing Co., Ltd

LS SIBP8S plain bearings



SIBP8S Bearing 2D drawings and 3D CAD models

Bearing No. SIBP8S

Bore Diameter	8 mm
d	8 mm
B	12 mm
d2	22 mm
d3	12,5 mm
d4	16 mm
dk	15,88 mm
h1	36 mm
l3 min.	17 mm
l4 max.	47 mm
l5	5 mm
l7 min.	11 mm
r min.	0,3 mm
C1	9 mm
W	14 mm
Thread (G)	M8
Angle	14 °
Weight	0,044 Kg
Basic dynamic load rating (C)	6,8 kN