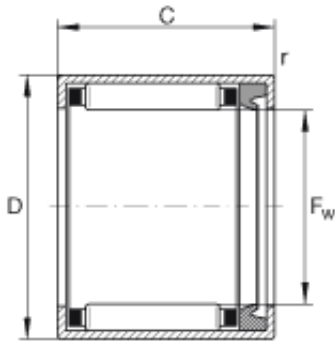




# Air Suspension Bearing Co., Ltd



## INA HK2214-RS needle roller bearings

Bearing No. HK2214-RS

Size	22x28x14 mm
Bore Diameter	22 mm
Outer Diameter	28 mm
Width	14 mm
$F_w$	22 mm
D	28 mm
C - 14 mm / Tolerance: -0,3	14 mm / Tolerance: 0,3
$r_{min}$	0,8 mm
m	16 g / Weight
$C_r$	9100 N / Dynamic load rating (radial)
$C_{Or}$	13400 N / Static load rating (radial)
$C_{ur}$	1600 N / Fatigue limit load, radial
$n_{G\text{ Fett}}$	8000 1/min / Limiting speed for grease lubrication
	IR17X22X16 / Suitable inner ring
Category	Needle Non Thrust Roller Bearings
Inventory	0.0
Manufacturer Name	SCHAEFFLER GROUP
Minimum Buy Quantity	N/A
Weight / Kilogram	0.021
EAN	4012802043136
Product Group	B04144
Rolling Element	Needle Roller Bearing

HK2214-RS Bearing 2D drawings and 3D CAD models



## Air Suspension Bearing Co., Ltd

Component	Roller Assembly with Outer Ring - No Inner Ring
Enclosure	1 Seal
Self Aligning	No
Retainer	Yes
Number of Rows of Rollers	Single Row
Separable	No
Closed End	No
Inch - Metric	Metric
Relubricatable	No
Thrust Bearing	No
Long Description	22MM Bore; 28MM Outside Diameter; 14MM Width; Needle Roller Bearing; Roller Assembly with Outer Ring - No Inner Ring; 1 Seal Enclosure; No Self Aligning; Retainer; Single Row of Rollers; No Separable;
Other Features	2 Rib Outer Ring   Drawn Cup Bearing   Steel Cage
Category	Needle Non Thrust Roller Bearing
UNSPSC	31171512
Harmonized Tariff Code	8482.40.00.00
Noun	Bearing
Keyword String	Needle
Manufacturer URL	<a href="http://www.ina.com">http://www.ina.com</a>
Manufacturer Item Number	HK2214RS
Weight / LBS	0.035
Width	0.551 Inch   14 Millimeter
Bore	0.866 Inch   22 Millimeter
Outside Diameter	1.102 Inch   28 Millimeter