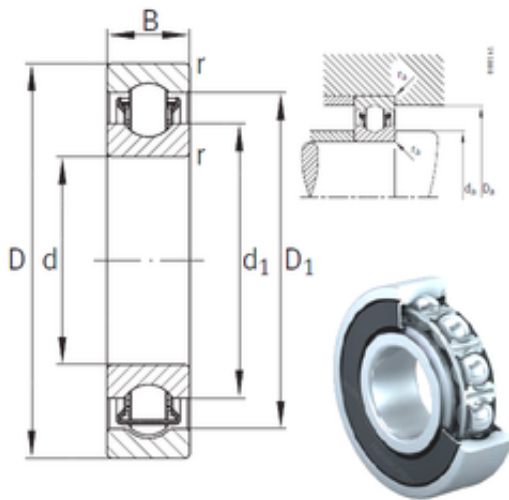




Air Suspension Bearing Co., Ltd



BXRE305-2HRS Bearing 2D drawings and 3D CAD models

25 mm x 62 mm x 17 mm INA BXRE305-2HRS
needle roller bearings

Bearing No. BXRE305-2HRS

Size	25x62x17 mm
Bore Diameter	25 mm
Outer Diameter	62 mm
Width	17 mm
d	25 mm
D	62 mm
B	17 mm
C	17 mm
d1	37,9 mm
r min.	1,1 mm
D1	50,7 mm
da min.	32 mm
Da max.	55 mm
ra max.	1 mm
Weight	0,253 Kg
Basic dynamic load rating (C)	30,5 kN
Basic static load rating (C0)	18,5 kN
Fatigue load limit (Pu)	940