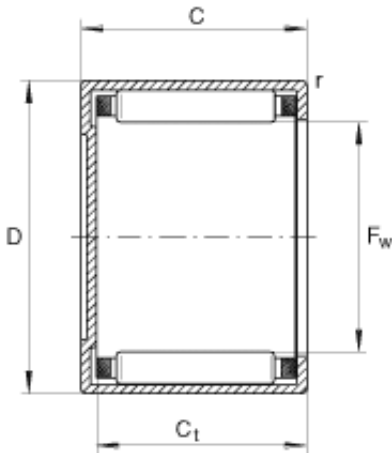




Air Suspension Bearing Co., Ltd



BK0810 Bearing 2D drawings and 3D CAD models

INA BK0810 needle roller bearings

Bearing No. BK0810

Size	8x12x10 mm
Bore Diameter	8 mm
Outer Diameter	12 mm
Width	10 mm
F_w	8 mm
D	12 mm
C - 10 mm / Tolerance: -0,3	10 mm / Tolerance: 0,3
C_{tmin}	8,4 mm
r_{min}	0,4 mm
m	3,4 g / Weight
C_r	3800 N / Dynamic load rating (radial)
C_{0r}	3950 N / Static load rating (radial)
C_{ur}	500 N / Fatigue limit load, radial
n_G	29500 1/min / Limiting speed
n_B	21200 1/min / Reference speed
	IR5X8X12 / Suitable inner ring
Category	Needle Non Thrust Roller Bearings
Inventory	0.0
Manufacturer Name	SCHAEFFLER GROUP
Minimum Buy Quantity	N/A
Weight / Kilogram	0.004



Air Suspension Bearing Co., Ltd

Product Group	B04144
Rolling Element	Needle Roller Bearing
Component	Roller Assembly with Outer Ring - No Inner Ring
Enclosure	Open
Self Aligning	No
Retainer	Yes
Number of Rows of Rollers	Single Row
Separable	No
Closed End	Yes
Inch - Metric	Metric
Relubricatable	No
Thrust Bearing	No
Long Description	8MM Bore; 12MM Outside Diameter; 10MM Width; Needle Roller Bearing; Roller Assembly with Outer Ring - No Inner Ring; Open; Not Self Aligning; Retainer; Single Row of Rollers; Not Separable; Closed End
Other Features	1 Rib Outer Ring Drawn Cup Bearing Steel Cage
Category	Needle Non Thrust Roller Bearing
UNSPSC	31171512
Harmonized Tariff Code	8482.99.65.30
Noun	Roller Assembly with Outer Ring
Keyword String	Bearing Needle
Manufacturer URL	http://www.ina.com
Manufacturer Item Number	BK0810
Weight / LBS	0.007
Bore	0.315 Inch 8 Millimeter
Outside Diameter	0.472 Inch 12 Millimeter



Air Suspension Bearing Co., Ltd

Width	0.394 Inch 10 Millimeter
-------	----------------------------