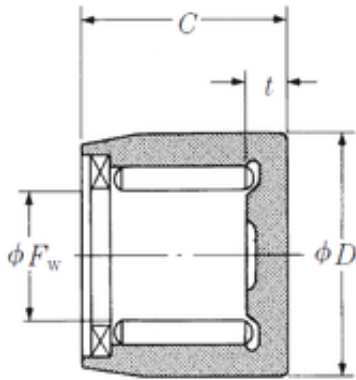




# Air Suspension Bearing Co., Ltd

## NSK NSA04002 needle roller bearings

Bearing No. NSA04002



Size	26.995x40x25.5 mm
Bore Diameter	26,995 mm
Outer Diameter	40 mm
Width	25,5 mm
Fw	26,995 mm
D	40 mm
C	25,5 mm
t	4 mm
Weight	0,135 Kg
Basic dynamic load rating (C)	28,6 kN

NSA04002 Bearing 2D drawings and 3D CAD models