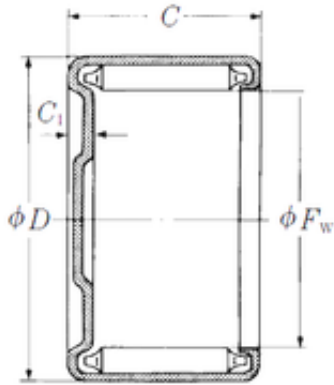




# Air Suspension Bearing Co., Ltd

## NSK MJ-851 needle roller bearings



Bearing No. MJ-851

Size	12.7x17.462x7.92 mm
Bore Diameter	12,7 mm
Outer Diameter	17,462 mm
Width	7,92 mm
Fw	12,7 mm
D	17,462 mm
C	7,92 mm
C2	1 mm
Weight	0,0064 Kg
Basic dynamic load rating (C)	3,15 kN

MJ-851 Bearing 2D drawings and 3D CAD models