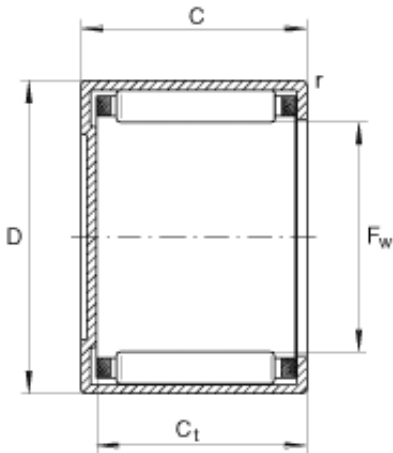




Air Suspension Bearing Co., Ltd



BK1612 Bearing 2D drawings and 3D CAD models

INA BK1612 needle roller bearings

Bearing No. BK1612

Size	16x22x12 mm
Bore Diameter	16 mm
Outer Diameter	22 mm
Width	12 mm
F_w	16 mm
D	22 mm
C - 12 mm / Tolerance: -0,3	12 mm / Tolerance: 0,3
$C_{t\min}$	9,3 mm
r_{\min}	0,8 mm
m	14 g / Weight
C_r	7600 N / Dynamic load rating (radial)
C_{0r}	9700 N / Static load rating (radial)
C_{ur}	1160 N / Fatigue limit load, radial
n_G	15600 1/min / Limiting speed
n_B	10900 1/min / Reference speed
	IR12X16X13 / Suitable inner ring
Category	Needle Non Thrust Roller Bearings
Inventory	0.0
Manufacturer Name	SCHAEFFLER GROUP
Minimum Buy Quantity	N/A
Weight / Kilogram	0.01



Air Suspension Bearing Co., Ltd

Product Group	B04144
Rolling Element	Needle Roller Bearing
Component	Roller Assembly with Outer Ring - No Inner Ring
Enclosure	Open
Self Aligning	No
Retainer	Yes
Number of Rows of Rollers	Single Row
Separable	No
Closed End	Yes
Inch - Metric	Metric
Relubricatable	No
Thrust Bearing	No
Long Description	16MM Bore; 22MM Outside Diameter; 12MM Width; Needle Roller Bearing; Roller Assembly with Outer Ring - No Inner Ring; Open Enclosure; No Self Aligning; Retainer; Single Row of Rollers; No Separable; C
Other Features	1 Rib Outer Ring Drawn Cup Bearing Steel Cage
Category	Needle Non Thrust Roller Bearing
UNSPSC	31171512
Harmonized Tariff Code	8482.40.00.00
Noun	Bearing
Keyword String	Needle
Manufacturer URL	http://www.ina.com
Manufacturer Item Number	BK1612
Weight / LBS	0.026
Bore	0.63 Inch 16 Millimeter
Outside Diameter	0.866 Inch 22 Millimeter
Width	0.472 Inch 12 Millimeter



Air Suspension Bearing Co., Ltd