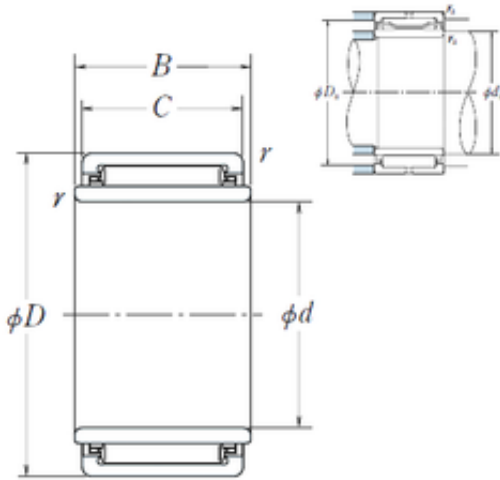




Air Suspension Bearing Co., Ltd

32 mm x 48 mm x 20,3 mm NSK LM3820
needle roller bearings

Bearing No. LM3820



LM3820 Bearing 2D drawings and 3D CAD models

Size	32x48x20.3 mm
Bore Diameter	32 mm
Outer Diameter	48 mm
Width	20,3 mm
d	32 mm
Fw	38 mm
D	48 mm
B	20,3 mm
C	20 mm
r min.	0,6 mm
da min.	36 mm
Da max.	44 mm
ra max.	0,6 mm
Weight	0,125 Kg
Basic dynamic load rating (C)	29 kN
Basic static load rating (C0)	47 kN
(Grease) Lubrication Speed	5600 r/min
hidYobi	LM3820
LangID	1
D_	48
B_	20.3
hidTable	ecat_NSMRNR
GRS rpm	5600
ra	0.6
da_min	36



Air Suspension Bearing Co., Ltd

d2	32
C0	47
C1_	20
DE_	45
SLR	15.8
Prod_Type3	NRB_S_LM
DA_	3.5
Z_	23
SI	38
yobi	LM3820
da_max	44
OIL rpm	9000
SDM_	41.5
r	0.6
KBRG	8352
mass2	0.125
B1	20.3