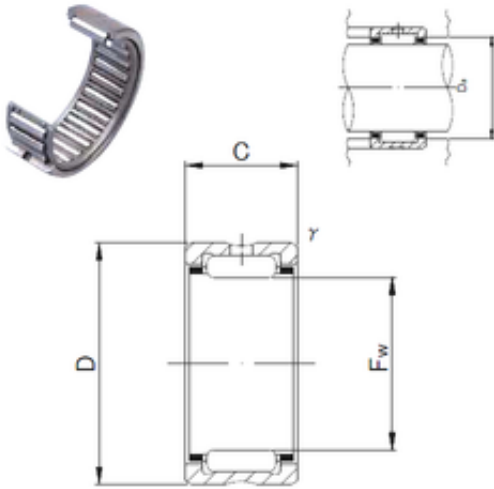




Air Suspension Bearing Co., Ltd



NK38/30 Bearing 2D drawings and 3D CAD models

JNS NK38/30 needle roller bearings

Bearing No. NK38/30

Size	38x48x30 mm
Bore Diameter	38 mm
Outer Diameter	48 mm
Width	30 mm
Fw	38 mm
D	48 mm
C	30 mm
r min.	0,3 mm
Da max.	46 mm
Weight	0,119 Kg
Basic dynamic load rating (C)	40,3 kN
Basic static load rating (C0)	80 kN