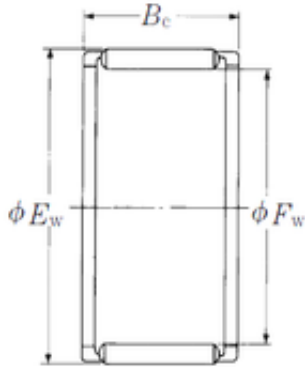




# Air Suspension Bearing Co., Ltd

## NSK FWF-192313 needle roller bearings



Bearing No. FWF-192313

Bore Diameter	19 mm
Outer Diameter	23 mm
Fw	19 mm
Ew	23 mm
Bc	13 mm
Weight	0,007 Kg
Basic dynamic load rating (C)	9,9 kN
Basic static load rating (C0)	13,9 kN

FWF-192313 Bearing 2D drawings and 3D CAD models