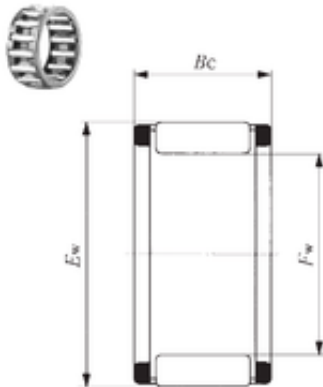




# Air Suspension Bearing Co., Ltd

## IKO KT 223215 EG needle roller bearings



Bearing No. KT 223215 EG

Bore Diameter	22 mm
Outer Diameter	32 mm
Fw	22 mm
Ew	32 mm
Bc	15 mm
Weight	0,03 Kg
Basic dynamic load rating (C)	21,3 kN

KT 223215 EG Bearing 2D drawings and 3D CAD models