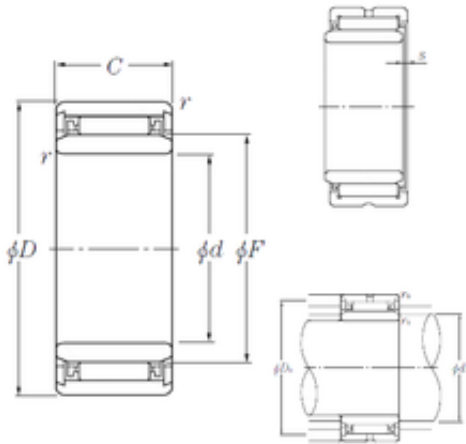




Air Suspension Bearing Co., Ltd

5 mm x 15 mm x 16 mm NTN NK8/16T2+IR5 × 8 × 16 needle roller bearings

Bearing No. NK8/16T2+IR5 × 8 × 16



NK8/16T2+IR5 × 8 × 16 Bearing 2D drawings and 3D CAD models

Size	5x15x16 mm
Bore Diameter	5 mm
Outer Diameter	15 mm
Width	16 mm
d	5 mm
F	8 mm
D	15 mm
B	16 mm
C	16 mm
r min.	0,3 mm
s	2 mm
da min.	7 mm
Da max.	9,5 mm
ra max.	0,3 mm
Weight	0,016 Kg
Basic dynamic load rating (C)	4,85 kN
Basic static load rating (C0)	5,2 kN
(Grease) Lubrication Speed	21 000 r/min