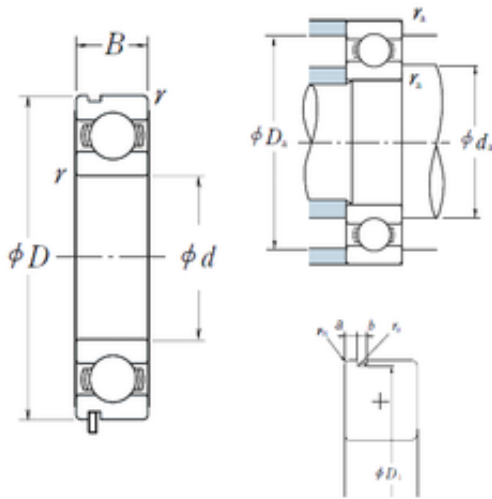




Air Suspension Bearing Co., Ltd



95 mm x 170 mm x 32 mm NSK 6219N deep groove ball bearings

Bearing No. 6219N

6219N Bearing 2D drawings and 3D CAD models

Size	95x170x32 mm
Bore Diameter	95 mm
Outer Diameter	170 mm
Width	32 mm
d	95 mm
D	170 mm
B	32 mm
C	32 mm
rn	0,5 mm
a	5,69 mm
b	3,5 mm
r min.	2,1 mm
r0 max.	0,6 mm
D1	163,65 mm
da min.	106 mm
da max	114 mm
Da max.	159 mm
ra max.	2 mm
Weight	2,64 Kg
Basic dynamic load rating (C)	109 kN
Basic static load rating (C0)	82 kN
(Grease) Lubrication Speed	3 800 r/min
(Oil) Lubrication Speed	4 500 r/min
SRI	12.32
hidYobi	6219N



Air Suspension Bearing Co., Ltd

LangID	1
ro	0.6
D_	170
SREX	0.04
B_	32
da min	106
hidTable	ecat_NSRDGB
Oil rpm	4500
SRE	12.32
mass	2.64
GRS rpm	3800
ra	2
SRIX	0.04
D_a	159
SRIN	-0.04
C0	82
fo	14.4
SREN	-0.04
DE_	156.312
Prod_Type3	DGBB_SR_N_OT
DA_	23.812
bomp	0
Z_	10
yobi	6219N
C_conv	109000
ALPHA_	0
SDM_	132.5
r	2.1
KBRG	6101
SBRG	2
DI_	108.688