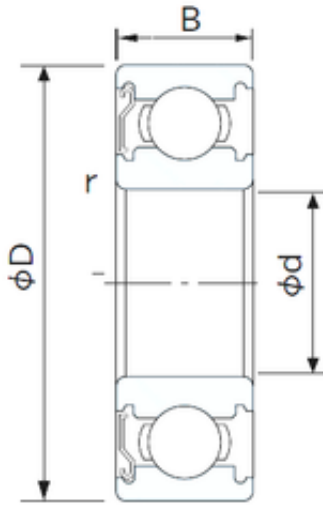




Air Suspension Bearing Co., Ltd



140 mm x 300 mm x 62 mm NACHI 6328Z
deep groove ball bearings

Bearing No. 6328Z

Size	140x300x62 mm
Bore Diameter	140 mm
Outer Diameter	300 mm
Width	62 mm
d	140 mm
D	300 mm
B	62 mm
C	62 mm
r min.	4 mm
da min.	158 mm
Da max.	282 mm
ra max.	3.0 mm
Weight	21.8 Kg
Basic dynamic load rating (C)	253 kN
Basic static load rating (C0)	246 kN
(Grease) Lubrication Speed	2100 r/min

6328Z Bearing 2D drawings and 3D CAD models