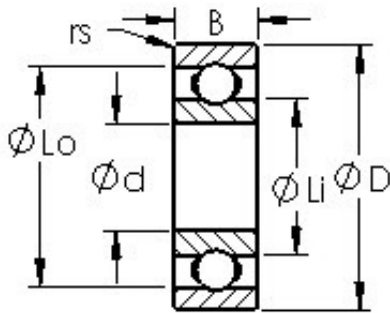




Air Suspension Bearing Co., Ltd



AST 6012 deep groove ball bearings

Bearing No. 6012

| | |
|--|------------------------------------|
| Size | 60x95x18 mm |
| Bore Diameter | 60 mm |
| Outer Diameter | 95 mm |
| Width | 18 mm |
| Bearing Type | Open |
| Bore Dia (d) | 60.0000 |
| Outer Dia (D) | 95.0000 |
| Width (B) | 18.0000 |
| Radius (min) (rs) | 1.100 |
| Dynamic Load Rating (Cr) | 29,400 |
| Static Load Rating (Cor) | 23,200 |
| Max Speed (Grease) (X1000 RPM) | 7 |
| Max Speed (Oil) (X1000 RPM) | 9 |
| Max. Shaft Shoulder Dia. Inner (Li) | 69.0 |
| Min. Housing Shoulder Dia., Outer (Lo) | 88.5 |
| Ball Qty | 14 |
| Ball Dia (Dw) | 10.3190 |
| Weight (g) | 403.00 |
| Precision | A1 |
| Standard Clearance | C0 |
| Material | 52100 Chrome steel (or equivalent) |

6012 Bearing 2D drawings and 3D CAD models