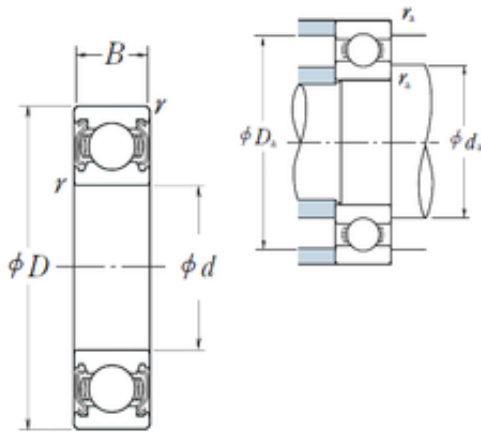




Air Suspension Bearing Co., Ltd



20 mm x 52 mm x 15 mm NSK 6304ZZ deep groove ball bearings

Bearing No. 6304ZZ

6304ZZ Bearing 2D drawings and 3D CAD models

Size	20x52x15 mm
Bore Diameter	20 mm
Outer Diameter	52 mm
Width	15 mm
d	20 mm
D	52 mm
B	15 mm
C	15 mm
r min.	1,1 mm
da min.	26,5 mm
da max	28 mm
Da max.	45,5 mm
ra max.	1 mm
Weight	0,145 Kg
Basic dynamic load rating (C)	15,9 kN
Basic static load rating (C0)	7,9 kN
(Grease) Lubrication Speed	14 000 r/min
Category	Single Row Ball Bearings
Inventory	0.0
Manufacturer Name	NSK
Minimum Buy Quantity	N/A
Weight / Kilogram	0.06
EAN	0029176016561
Product Group	B00308
Enclosure	2 Metal Shields



Air Suspension Bearing Co., Ltd

Precision Class	ABEC 1 ISO P0
Maximum Capacity / Filling Slot	No
Rolling Element	Ball Bearing
Snap Ring	No
Internal Special Features	No
Cage Material	Steel
Internal Clearance	C0-Medium
Inch - Metric	Metric
Long Description	20MM Bore; 52MM Outside Diameter; 15MM Outer Race Diameter; 2 Metal Shields; Ball Bearing; ABEC 1 ISO P0; No Filling Slot; No Snap Ring; No Internal Special Features
Category	Single Row Ball Bearing
UNSPSC	31171504
Harmonized Tariff Code	8482.10.50.68
Noun	Bearing
Keyword String	Ball
Manufacturer URL	http://www.nskamericas.com
Manufacturer Item Number	6304ZZ
Weight / LBS	0.142
Bore	0.787 Inch 20 Millimeter
Outer Race Width	0.591 Inch 15 Millimeter
Outside Diameter	2.047 Inch 52 Millimeter
bore diameter:	20 mm
snap ring included:	Without Snap Ring
outside diameter:	52 mm
internal clearance:	C0
overall width:	15 mm
dynamic load capacity:	15900 N
bore type:	Round



Air Suspension Bearing Co., Ltd

precision rating:	ABEC1, P0
closure type:	Double Shielded
finish/coating:	Uncoated
row type & fill slot:	Single Row Non-Fill Slot
cage material:	Steel Cage
SRI	4.81
hidYobi	6304ZZ
LangID	1
D_	52
SREX	0.04
B_	15
da min	26.5
hidTable	ecat_NSRDGB
SRE	5
mass	0.145
GRS rpm	14000
ra	1
SRIX	0.02
D_a	45.5
SRIN	0
C0	7.9
fo	12.4
SREN	0
DE_	45.525
Prod_Type3	DGBB_SR_ZZ
DA_	9.525
bomp	0
Z_	7
yobi	6304ZZ
C_conv	15900
ALPHA_	0
SDM_	36



Air Suspension Bearing Co., Ltd

r	1.1
KBRG	6141
SBRG	3
DI_	26.475