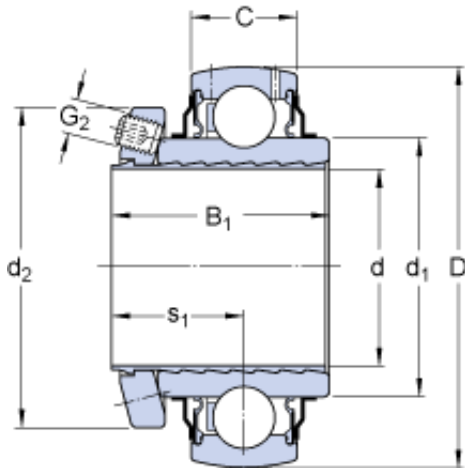




# Air Suspension Bearing Co., Ltd



E2.YSP 205 SB-2F Bearing 2D drawings and 3D CAD models

## SKF E2.YSP 205 SB-2F deep groove ball bearings

Bearing No. E2.YSP 205 SB-2F

Size	52x25x33 mm
Bore Diameter	52 mm
Outer Diameter	25 mm
Width	33 mm
d	25 mm
D	52 mm
B <sub>1</sub>	33 mm
C	15 mm
d <sub>1</sub>	33.74 mm
d <sub>2</sub>	41.7 mm
s <sub>1</sub>	21 mm
Basic dynamic load rating - C	14 kN
Basic static load rating - C <sub>0</sub>	7.8 kN
Fatigue load limit - P <sub>u</sub>	0.335 kN
Limiting speed	7000 r/min
Calculation factor - f <sub>0</sub>	14
Mass bearing	0.18 kg
Thread - G <sub>2</sub>	M5
Hexagonal key size for grub screw - H	2.5 mm
Recommended tightening torque for grub screw	4.2 N · m
Category	Bearings
Inventory	0.0



## Air Suspension Bearing Co., Ltd

Manufacturer Name	SKF
Minimum Buy Quantity	N/A
Weight / Kilogram	0
Product Group	M06110