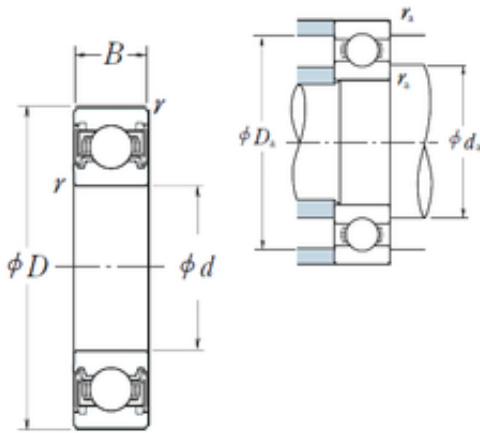




Air Suspension Bearing Co., Ltd



105 mm x 130 mm x 13 mm NSK 6821VV deep groove ball bearings

Bearing No. 6821VV

6821VV Bearing 2D drawings and 3D CAD models

Size	105x130x13 mm
Bore Diameter	105 mm
Outer Diameter	130 mm
Width	13 mm
d	105 mm
D	130 mm
B	13 mm
C	13 mm
r min.	1 mm
da min.	110 mm
da max	110,5 mm
Da max.	125 mm
ra max.	1 mm
Weight	0,324 Kg
Basic dynamic load rating (C)	19,8 kN
Basic static load rating (C0)	23,9 kN
(Grease) Lubrication Speed	4 800 r/min
Category	Single Row Ball Bearings
Inventory	0.0
Manufacturer Name	NSK
Minimum Buy Quantity	N/A
Weight / Kilogram	0.35
Product Group	B00308
Enclosure	2 Seals
Precision Class	ABEC 1 ISO P0



Air Suspension Bearing Co., Ltd

Maximum Capacity / Filling Slot	No
Rolling Element	Ball Bearing
Snap Ring	No
Internal Special Features	No
Cage Material	Steel
Enclosure Type	Non-Contact Seal
Internal Clearance	C0-Medium
Inch - Metric	Metric
Long Description	105MM Bore; 130MM Outside Diameter; 13MM Outer Race Diameter; 2 Seals; Ball Bearing; ABEC 1 ISO P0; No Filling Slot; No Snap Ring; No Internal Special Features
Category	Single Row Ball Bearing
UNSPSC	31171504
Harmonized Tariff Code	8482.10.50.68
Noun	Bearing
Keyword String	Ball
Manufacturer URL	http://www.nskamericas.com
Manufacturer Item Number	6821VV
Weight / LBS	0.308
Outside Diameter	5.118 Inch 130 Millimeter
Outer Race Width	0.512 Inch 13 Millimeter
Bore	4.134 Inch 105 Millimeter
SRI	3.7
hidYobi	6821VV
LangID	1
D_	130
SREX	0.02
B_	13
da min	110



Air Suspension Bearing Co., Ltd

hidTable	ecat_NSRDGB
SRE	3.7
mass	0.324
GRS rpm	4800
ra	1
SRIX	0.02
D_a	125
SRIN	-0.02
C0	23.9
fo	17.4
SREN	-0.02
DE_	124.644
Prod_Type3	DGBB_SR_VV
DA_	7.144
bomp	0
Z_	27
yobi	6821VV
C_conv	19800
ALPHA_	0
SDM_	117.5
r	1
KBRG	6151
SBRG	18
DI_	110.356