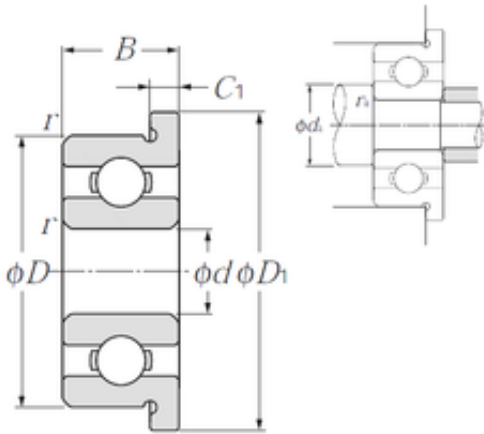




Air Suspension Bearing Co., Ltd

4,762 mm x 12,7 mm x 4,978 mm NTN FLRA3
deep groove ball bearings

Bearing No. FLRA3



FLRA3 Bearing 2D drawings and 3D CAD models

Size	4.762x14.35x4.978 mm
Bore Diameter	4,762 mm
Outer Diameter	14,35 mm
Width	4,978 mm
d	4,762 mm
D	12,7 mm
D1	14,35 mm
B	4,978 mm
C	4,978 mm
r min.	0,3 mm
C1	1,07 mm
da min.	6 mm
da max	6,4 mm
Da max.	11 mm
ra max.	0,3 mm
Weight	2,7 Kg
Basic dynamic load rating (C)	1,31 kN
Basic static load rating (C0)	0,49 kN
(Grease) Lubrication Speed	41000 r/min
(Oil) Lubrication Speed	48000 r/min