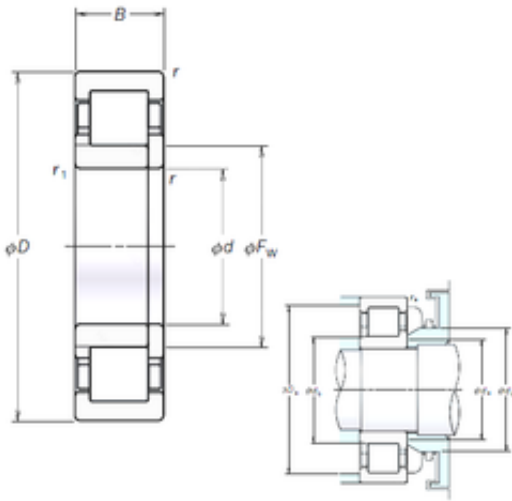




Air Suspension Bearing Co., Ltd



NUP236EM Bearing 2D drawings and 3D CAD models

180 mm x 320 mm x 52 mm NSK NUP236EM cylindrical roller bearings

Bearing No. NUP236EM

Size	180x320x52 mm
Bore Diameter	180 mm
Outer Diameter	320 mm
Width	52 mm
d	180 mm
Fw	217 mm
D	320 mm
B	52 mm
C	52 mm
r min.	4 mm
r1 min.	4 mm
da min.	196 mm
Da max.	304 mm
db max.	212 mm
db min	196 mm
ra max.	3 mm
rb max.	3 mm
S	2,2 mm
Db max	304 mm
Weight	19 Kg
Basic dynamic load rating (C)	625 kN
Basic static load rating (C0)	850 kN
(Grease) Lubrication Speed	1900 r/min
hidYobi	NUP236EM
LangID	1



Air Suspension Bearing Co., Ltd

D_	320
Macha rpm	3600
B_	52
hidTable	ecat_NSCLDR
Oil rpm	2200
rb	3
mass	19.3
GRS rpm	1900
ra	3
db max	212
TSR rpm	2200
C0	850
DE_	289
Prod_Type3	CRB_SR_NUP
da	196
DA_	36
Z_	19
D_a max	304
yobi	NUP236EM
dd min	233
C_conv	625000
ALPHA_	0
SDM_	253
r	4
dc min	221
KBRG	4165
SBRG	2
r1	4
DI_	217