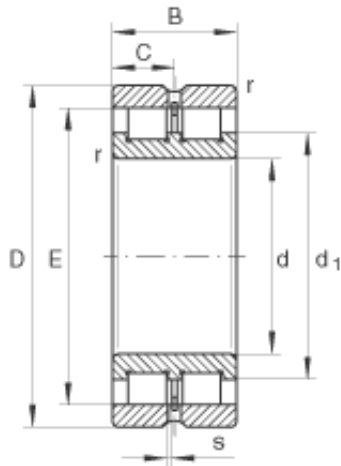




Air Suspension Bearing Co., Ltd



170 mm x 230 mm x 60 mm INA SL024934
cylindrical roller bearings

Bearing No. SL024934

SL024934 Bearing 2D drawings and 3D CAD models

Size	170x230x60 mm
Bore Diameter	170 mm
Outer Diameter	230 mm
Width	60 mm
d	170 mm
D	230 mm
B	60 mm
C	30 mm
d ₁	193,1 mm
E	215,08 mm
r _{min}	2 mm
s	4 mm / Axial displacement
	NNCL4934V / Designation to DIN 5412
m	7,1 kg / Weight
C _r	435000 N / Dynamic load rating (radial)
C _{0r}	930000 N / Static load rating (radial)
C _{ur}	114000 N / Fatigue limit load, radial
n _G	1580 1/min / Limiting speed
Category	Cylindrical Roller Bearings
Inventory	0.0
Manufacturer Name	SCHAEFFLER GROUP
Minimum Buy Quantity	N/A



Air Suspension Bearing Co., Ltd

Weight / Kilogram	8.51
EAN	4012802424645
Product Group	B04144
Bore Profile	Straight
Cage Material	None
Precision Class	RBEC 1 ISO P0
Number of Rows of Rollers	Double Row
Separable	Outer Ring - Both Sides
Rolling Element	Cylindrical Roller Bearing
Profile	Complete with Outer and Inner Ring
Snap Ring	No
Internal Clearance	C0-Medium
Retainer	No
Relubricatable	Yes
Inch - Metric	Metric
Other Features	Full Complement 3 Rib Inner Ring Plain Outer Ring Operating Temperature From -30 to 120 Deg
Long Description	170MM Bore; Straight Bore Profile; 230MM Outside Diameter; 60MM Width; RBEC 1 ISO P0; Double Row; Outer Ring - Both Sides Separable; No Snap Ring; Relubricatable; C0-Medium Internal Clearance; No Re
Category	Cylindrical Roller Bearing
UNSPSC	31171547
Harmonized Tariff Code	8482.50.00.00
Noun	Bearing
Manufacturer URL	http://www.ina.com
Manufacturer Item Number	SL024934



Air Suspension Bearing Co., Ltd

Weight / LBS	18.744
Bore	6.693 Inch 170 Millimeter
Outside Diameter	9.055 Inch 230 Millimeter
Width	2.362 Inch 60 Millimeter