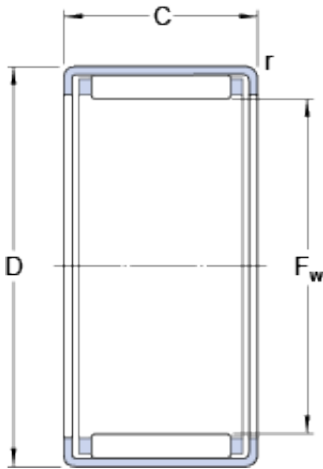




Air Suspension Bearing Co., Ltd



HK 6032 Bearing 2D drawings and 3D CAD models

SKF HK 6032 cylindrical roller bearings

Bearing No. HK 6032

Size	68x60x32 mm
Bore Diameter	68 mm
Outer Diameter	60 mm
Width	32 mm
F_w	60 mm
D	68 mm
C	32 mm
r - min.	0.8 mm
Basic dynamic load rating - C	51.2 kN
Basic static load rating - C_0	137 kN
Fatigue load limit - P_u	17 kN
Reference speed	4300 r/min
Limiting speed	4800 r/min
Category	Bearings
Inventory	0.0
Manufacturer Name	SKF
Minimum Buy Quantity	N/A
Weight / Kilogram	0.134
Product Group	B04144
F_w	60 mm
r min.	0.8 mm
Basic dynamic load rating C	51.2 kN
Basic static load rating C_0	137 kN
Fatigue load limit P_u	17 kN
Mass bearing	0.14 kg



Air Suspension Bearing Co., Ltd

Designation bearing	HK 6032
---------------------	---------