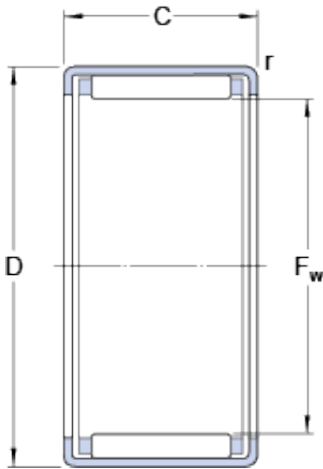




# Air Suspension Bearing Co., Ltd



HK 3224 Bearing 2D drawings and 3D CAD models

## SKF HK 3224 cylindrical roller bearings

Bearing No. HK 3224

Size	39x32x24 mm
Bore Diameter	39 mm
Outer Diameter	32 mm
Width	24 mm
$F_w$	32 mm
D	39 mm
C	24 mm
r - min.	0.8 mm
Basic dynamic load rating - C	26.4 kN
Basic static load rating - $C_0$	54 kN
Fatigue load limit - $P_u$	6.6 kN
Reference speed	7500 r/min
Limiting speed	8500 r/min
$F_w$	32 mm
r min.	0.8 mm
Basic dynamic load rating C	26.4 kN
Basic static load rating $C_0$	54 kN
Fatigue load limit $P_u$	6.55 kN
Mass bearing	0.049 kg
Designation bearing	HK 3224