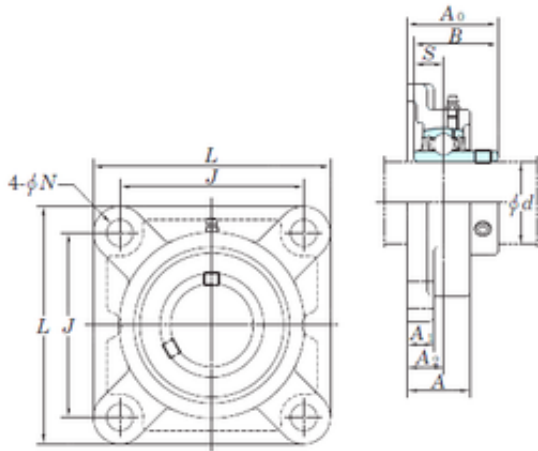




Air Suspension Bearing Co., Ltd

KOYO UCFX18 bearing units



Bearing No. UCFX18

Bore Diameter	90 mm
d	90 mm
A0	106,1 mm
A	76 mm
A1	24 mm
B	104 mm
J	171 mm
L	214 mm
N	23 mm
S	42,9 mm
Bolt (G)	M20
A2	45 mm
Weight	11,9 Kg
Basic dynamic load rating (C)	109 kN
Basic static load rating (C0)	81,9 kN
Bearing No.	UCFX18
Bolt size	M20
Cr	109
C0r	81.9
f0	14.4
(Refer.)Unit mass(kg)	11.9
Nipple size	R1/8

UCFX18 Bearing 2D drawings and 3D CAD models