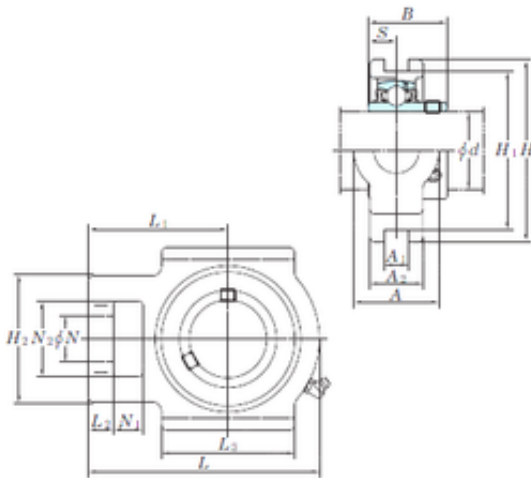




Air Suspension Bearing Co., Ltd

KOYO UCT217 bearing units

Bearing No. UCT217



UCT217 Bearing 2D drawings and 3D CAD models

Bore Diameter	85 mm
d	85 mm
L2	29 mm
L3	157 mm
A	73 mm
A1	30 mm
B	85,7 mm
H	198 mm
H1	173 mm
H2	124 mm
L	260 mm
L1	162 mm
N	48 mm
N1	38 mm
S	34,1 mm
A2	54 mm
N2	73 mm
Weight	11 Kg
Basic dynamic load rating (C)	84 kN
Basic static load rating (C0)	61,9 kN
Bearing No.	UCT217
Cr	84.0
C0r	61.9
f0	14.5
(Refer.)Unit mass(kg)	11.0
Nipple size	R1/8



Air Suspension Bearing Co., Ltd