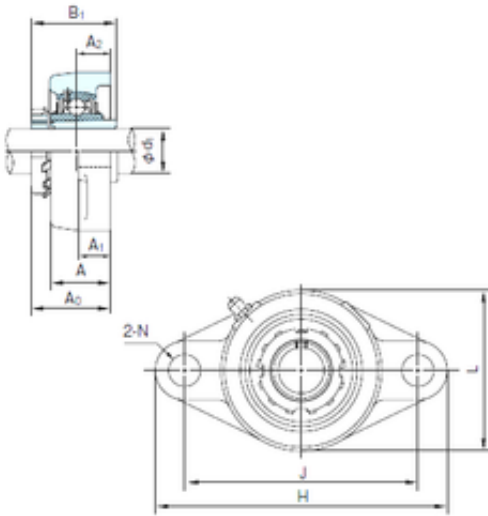




# Air Suspension Bearing Co., Ltd

## NACHI UKFL211+H2311 bearing units

Bearing No. UKFL211+H2311



UKFL211+H2311 Bearing 2D drawings and 3D CAD models

Bore Diameter	50 mm
d1	50 mm
A0	53.5 mm
A	43 mm
A1	20 mm
B1	59 mm
H	224 mm
J	184 mm
L	130 mm
L1	134 mm
N	19 mm
Bolt (G)	M16
A2	25 mm