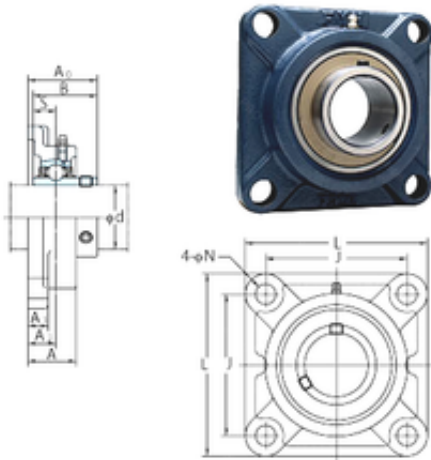




Air Suspension Bearing Co., Ltd

FYH UCF204 bearing units

Bearing No. UCF204



UCF204 Bearing 2D drawings and 3D CAD models

Bore Diameter	20 mm
d	20 mm
A0	33,3 mm
A	25,5 mm
A1	11 mm
B	31 mm
J	64 mm
L	86 mm
N	12 mm
S	12,7 mm
Bolt (G)	M10
A2	15 mm
Weight	0,59 Kg
Basic dynamic load rating (C)	12,8 kN
Basic static load rating (C0)	6,65 kN
Category	Mounted Units & Inserts
Inventory	0.0
Manufacturer Name	FYH BEARING UNITS
Minimum Buy Quantity	N/A
Weight / Kilogram	0
Product Group	M06110