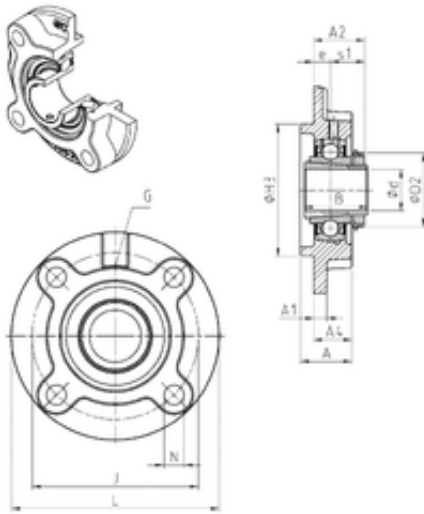




Air Suspension Bearing Co., Ltd



SNR UKFC215H bearing units

Bearing No. UKFC215H

Bore Diameter	65 mm
d	65 mm
H3	160 mm
A4	39 mm
e	18 mm
s1	35,5 mm
A	55 mm
A1	17 mm
B	73 mm
D2	98 mm
J	184 mm
L	220 mm
N	19 mm
Thread (G)	M10x1
A2	53,5 mm
Weight	6,4 Kg
Basic dynamic load rating (C)	66 kN

UKFC215H Bearing 2D drawings and 3D CAD models