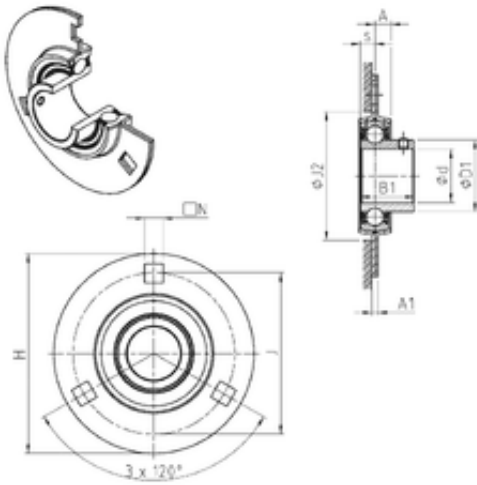




Air Suspension Bearing Co., Ltd

SNR USPF201 bearing units



Bearing No. USPF201

Bore Diameter	12 mm
d	12 mm
s	6 mm
A	6,7 mm
A1	4 mm
B1	22 mm
D1	24,6 mm
H	81 mm
N	7,1 mm
J1	63,5 mm
J2	49 mm
Weight	0,2 Kg
Basic dynamic load rating (C)	9,55 kN

USPF201 Bearing 2D drawings and 3D CAD models