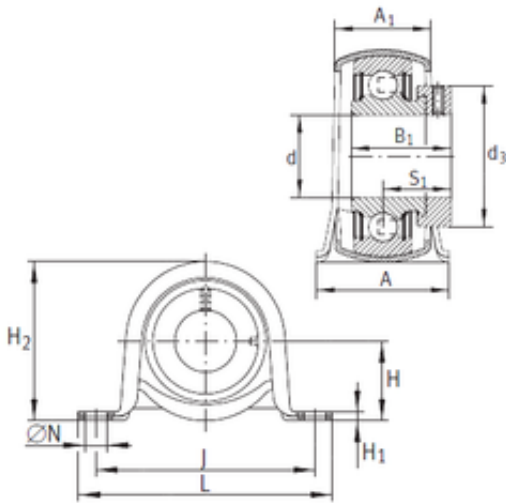




# Air Suspension Bearing Co., Ltd



PB30 Bearing 2D drawings and 3D CAD models

## INA PB30 bearing units

Bearing No. PB30

|                           |                       |
|---------------------------|-----------------------|
| Bore Diameter             | 30 mm                 |
| d                         | 30 mm                 |
| S1                        | 26,7 mm               |
| d3                        | 44 mm                 |
| A                         | 38 mm                 |
| A1                        | 26,5 mm               |
| B1                        | 35,8 mm               |
| H                         | 33,3 mm               |
| H1                        | 4 mm                  |
| H2                        | 66,1 mm               |
| J                         | 95 mm                 |
| L                         | 117,5 mm              |
| N                         | 11,5 mm               |
| Category                  | Pillow Block Bearings |
| Inventory                 | 0.0                   |
| Manufacturer Name         | SCHAEFFLER GROUP      |
| Minimum Buy Quantity      | N/A                   |
| Weight / Kilogram         | 0.599                 |
| Product Group             | M06110                |
| Number of Mounting Holes  | 2                     |
| Mounting Method           | Eccentric Collar      |
| Housing Style             | 2 Bolt Pillow Block   |
| Rolling Element           | Ball Bearing          |
| Housing Material          | Stamped Steel         |
| Expansion / Non-expansion | Non-expansion         |
| Mounting Bolts            | 11.5 Millimeter       |
|                           |                       |



## Air Suspension Bearing Co., Ltd

|                               |   |
|-------------------------------|---|
| Relubricatable                | No  |
| Insert Part Number            | RAE30NPPB   |
| Seals                         | Double Lip Contact  |
| Housing Configuration         | 1 Piece Solid   |
| Inch - Metric                 | Metric  |
| Other Features                | Single Row   Corrotect Coating   With Set Screw   |
| Long Description              | 2 Bolt Pillow Block; 30MM Bore; 33.3MM Base to Center Height; Eccentric Collar Mount; Ball Bearing; No Relubricatable; Stamped Steel; Double Lip Contact; Non-expansion |
| Category                      | Pillow Block  |
| UNSPSC                        | 31171511  |
| Harmonized Tariff Code        | 8483.20.40.40   |
| Noun                          | Bearing   |
| Keyword String                | Pillow Block  |
| Manufacturer URL              | <a href="http://www.ina.com">http://www.ina.com</a>   |
| Manufacturer Item Number      | PB30  |
| Weight / LBS                  | 1.102   |
| Bolt Spacing Maximum          | 0 Inch   0Millimeter  |
| Bore                          | 1.181 Inch   30 Millimeter  |
| Base to Center Height         | 1.311 Inch   33.3 Millimeter  |
| Actual Bolt Center to Center  | 3.7 Inch   95Millimeter   |
| Nominal Bolt Center to Center | 3.7 Inch   95 Millimeter  |
| Bolt Spacing Minimum          | 0 Inch   0Millimeter  |
| Length Thru Bore              | 1.409 Inch   35.8 Millimeter  |