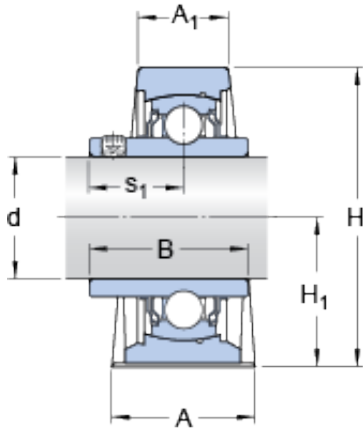




Air Suspension Bearing Co., Ltd



SY 1.3/8 TF/VA228 Bearing 2D drawings and 3D CAD models

SKF SY 1.3/8 TF/VA228 bearing units

Bearing No. SY 1.3/8 TF/VA228

| | |
|---|-----------------|
| Size | 45x34.925x29 mm |
| Bore Diameter | 45 mm |
| Outer Diameter | 34,925 mm |
| Width | 29 mm |
| d | 34.925 mm |
| A | 45 mm |
| A ₁ | 29 mm |
| H | 93 mm |
| H ₁ | 47.6 mm |
| H ₂ | 19 mm |
| L | 160 mm |
| J | 126 mm |
| H | 21 mm |
| N ₁ | 14 mm |
| B | 42.9 mm |
| s ₁ | 25.4 mm |
| Basic dynamic load rating - C | 25.5 kN |
| Basic static load rating - C ₀ | 15.3 kN |
| Limiting speed | 160 r/min |
| Limiting temperature - T | 350 ° C |
| Mass bearing unit | 1.51 kg |
| Grub (set) screw - G ₂ - 5/16-24 UNF | 5/1624 UNF |
| Hexagonal key size for grub screw - H | 3.969 mm |
| | |



Air Suspension Bearing Co., Ltd

| | |
|--|--|
| Recommended tightening torque for grub screw | 6.5 N · m |
| Category | Pillow Block Bearings |
| Inventory | 2.0 |
| Manufacturer Name | SKF |
| Minimum Buy Quantity | N/A |
| Weight / Kilogram | 1.59 |
| EAN | 7316572061992 |
| Product Group | M06110 |
| Number of Mounting Holes | 2 |
| Mounting Method | Set Screw |
| Housing Style | 2 Bolt Pillow Block |
| Rolling Element | Ball Bearing |
| Housing Material | Cast Iron |
| Expansion / Non-expansion | Non-expansion |
| Mounting Bolts | 1/2 Inch |
| Relubricatable | Yes |
| Insert Part Number | YAR 207-106-2F/VA228 |
| Seals | M Seal |
| Housing Configuration | 1 Piece Solid |
| Inch - Metric | Inch |
| Other Features | Single Row Standard Duty Wide Inner Race High Temperature Bearing with Graphite Has Flinger Y Bearing |
| Long Description | 2 Bolt Pillow Block; 1-3/8" Bore; 1-7/8" Base to Center Height; Set Screw Mount; Ball Bearing; 4-11/16" Minimum Bolt Spacing; 5-1/4" Bolt Spacing Maximum; Relubricatable; Cast Iron |
| Category | Pillow Block |
| UNSPSC | 31171511 |



Air Suspension Bearing Co., Ltd

| | |
|-------------------------------|---|
| Harmonized Tariff Code | 8483.20.40.40 |
| Noun | Bearing |
| Keyword String | Pillow Block |
| Manufacturer URL | http://www.skf.com |
| Manufacturer Item Number | SY 1.3/8 TF/VA228 |
| Weight / LBS | 3.5 |
| Bore | 1.375 Inch 34.925 Millimeter |
| Base to Center Height | 1.875 Inch 47.63 Millimeter |
| Length Thru Bore | 1.688 Inch 42.87 Millimeter |
| Bolt Spacing Maximum | 5.25 Inch 133.35Millimeter |
| Nominal Bolt Center to Center | 5 Inch 127 Millimeter |
| Bolt Spacing Minimum | 4.688 Inch 119.075Millimeter |
| Actual Bolt Center to Center | 0 Inch 0Millimeter |
| mounting: | Two-Bolt Base |
| overall length: | 3.7031 in |
| bore diameter: | 1.3750 in |
| overall height: | 3.3125 in |
| bore type: | Round |
| finish/coating: | Uncoated |
| housing material: | Cast Iron |
| lubrication type: | Lubrication Fitting |
| locking device: | Set Screw |
| series: | SY |
| expansion type: | Non-Expansion Bearing (Fixed) |
| standards met: | ISO |
| A ₁ | 29 mm |
| H ₁ | 47.6 mm |
| | |



Air Suspension Bearing Co., Ltd

| | |
|--|-------------|
| H ₂ | 19 mm |
| N | 21 mm |
| N ₁ | 14 mm |
| s ₁ | 25.4 mm |
| Basic dynamic load rating C | 25.5 kN |
| Basic static load rating C ₀ | 15.3 kN |
| Limiting temperature T max. | 350 ° C |
| Grub (set) screw G ₂ | 5/16-24 UNF |
| Hexagonal key size for grub screw N | 3.969 mm |
| Attachment bolts, recommended metric size G | 12 mm |