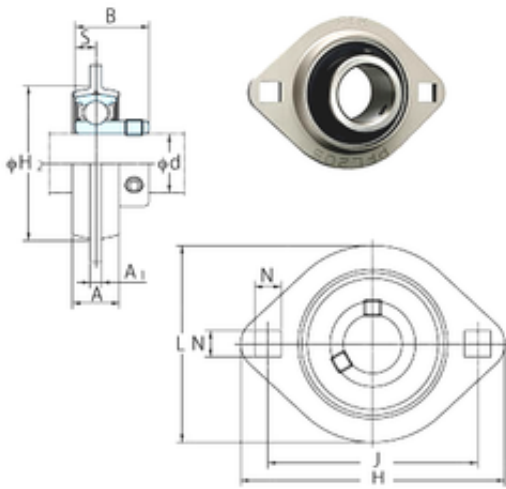




Air Suspension Bearing Co., Ltd

FYH SBPFL205-15 bearing units

Bearing No. SBPFL205-15



SBPFL205-15 Bearing 2D drawings and 3D CAD models

Bore Diameter	22,225 mm
Width	27 mm
d	22,225 mm
A	18 mm
A1	4 mm
B	27 mm
H	95 mm
H2	60 mm
J	76 mm
L	71 mm
N	9 mm
S	7,5 mm
Bolt (G)	M8
Weight	0,28 Kg
Basic dynamic load rating (C)	14 kN
Basic static load rating (C0)	7,85 kN