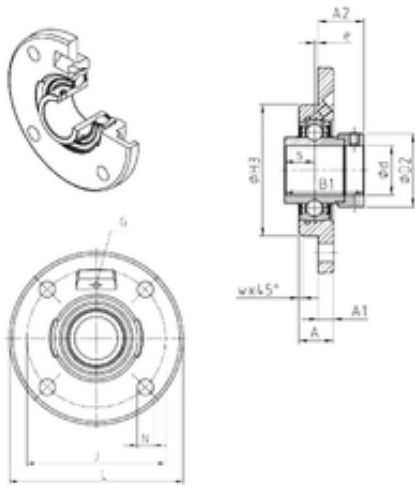




Air Suspension Bearing Co., Ltd



SNR EXFCE215 bearing units

Bearing No. EXFCE215

Bore Diameter	75 mm
d	75 mm
H3	160 mm
e	0 mm
s	37,3 mm
A	33 mm
A1	18 mm
B1	92,1 mm
D2	102 mm
J	184 mm
L	220 mm
N	18 mm
W	6 mm
Thread (G)	R1/8"
A2	54,8 mm
Weight	6,1 Kg
Basic dynamic load rating (C)	66 kN

EXFCE215 Bearing 2D drawings and 3D CAD models