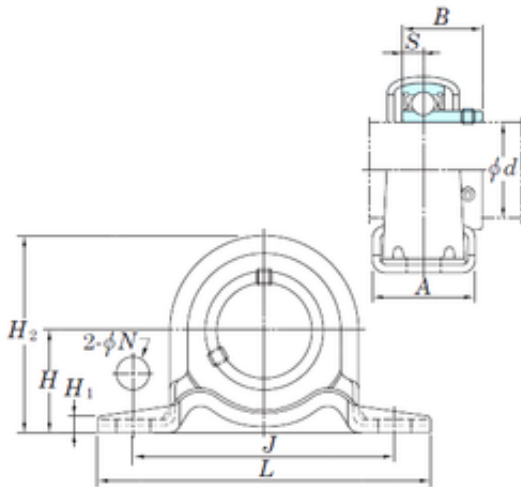




Air Suspension Bearing Co., Ltd



SBPP206 Bearing 2D drawings and 3D CAD models

KOYO SBPP206 bearing units

Bearing No. SBPP206

Bore Diameter	30 mm
Width	30 mm
d	30 mm
A	38 mm
B	30 mm
H	33,3 mm
H1	4 mm
H2	66,3 mm
J	95 mm
L	117 mm
N	11,5 mm
S	8 mm
Bolt (G)	M10
Weight	0,47 Kg
Basic dynamic load rating (C)	19,5 kN
Basic static load rating (C0)	11,3 kN
Bearing No.	SBPP206
Bolt size	M10
Cr	19.5
C0r	11.3
f0	13.9
A1	-
(Refer.)Unit mass(kg)	0.47