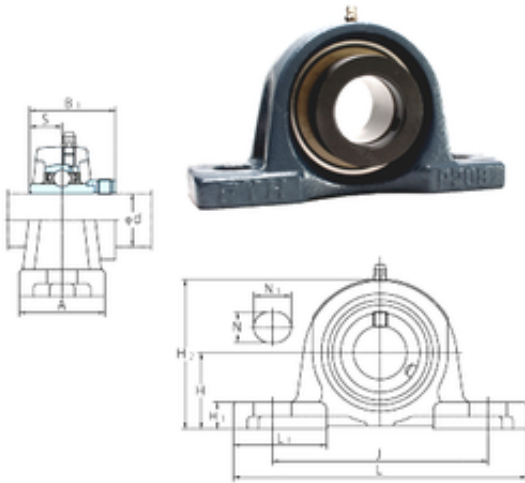




Air Suspension Bearing Co., Ltd

FYH NAP202 bearing units



Bearing No. NAP202

Bore Diameter	15 mm
Width	30,2 mm
d	15 mm
A	38 mm
B1	43,7 mm
H	30,2 mm
H1	12 mm
H2	60 mm
J	95 mm
L	127 mm
L1	38 mm
N	13 mm
N1	18 mm
S	17,1 mm
Bolt (G)	M10
Weight	0,69 Kg
Basic dynamic load rating (C)	12,8 kN
Category	Mounted Units & Inserts
Inventory	0.0
Manufacturer Name	FYH BEARING UNITS
Minimum Buy Quantity	N/A
Weight / Kilogram	0
Product Group	M06110

NAP202 Bearing 2D drawings and 3D CAD models