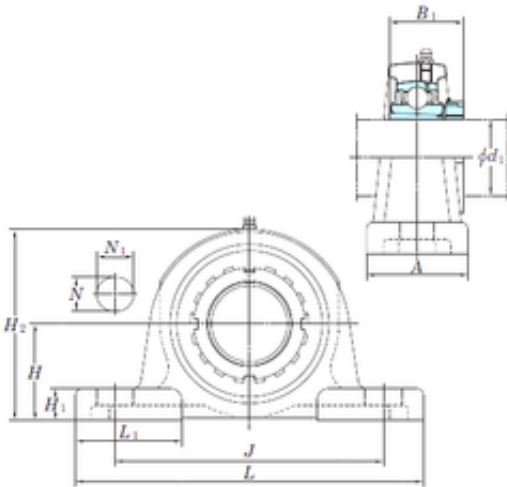




Air Suspension Bearing Co., Ltd

KOYO UKP209 bearing units

Bearing No. UKP209



UKP209 Bearing 2D drawings and 3D CAD models

Bore Diameter	41,275 mm
Width	54 mm
d	41,275 mm
A	54 mm
B1	39 mm
H	54 mm
H1	17 mm
H2	106 mm
J	146 mm
L	190 mm
L1	60 mm
N	17 mm
N1	21 mm
Bolt (G)	M14
Weight	2,3 Kg
Basic dynamic load rating (C)	34,1 kN
Basic static load rating (C0)	21,3 kN
Bearing No.	UKP209
Bolt size	M14
Cr	32.7
C0r	20.3
f0	14.0
B	39
S	2.3
(Refer.)Unit mass(kg)	1/4-28UNF