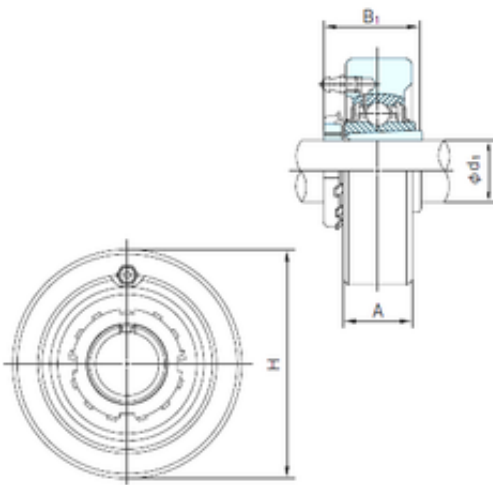




Air Suspension Bearing Co., Ltd

NACHI UKCX06+H2306 bearing units

Bearing No. UKCX06+H2306



| | |
|---------------|--------|
| Bore Diameter | 25 mm |
| Width | 100 mm |
| d | 25 mm |
| A | 30 mm |
| B1 | 38 mm |
| H | 100 mm |

UKCX06+H2306 Bearing 2D drawings and 3D CAD models