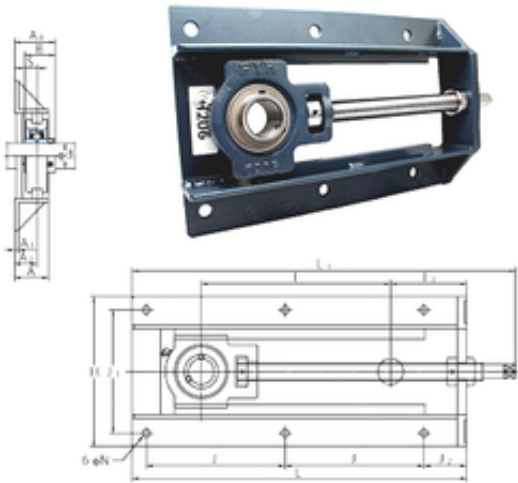




Air Suspension Bearing Co., Ltd

FYH UCTH212-36-300 bearing units

Bearing No. UCTH212-36-300



UCTH212-36-300 Bearing 2D drawings and 3D CAD models

Bore Diameter	57,15 mm
Width	154 mm
d	57,15 mm
A0	77,7 mm
T1	154 mm
A	65 mm
A1	6 mm
B	65,1 mm
H	304 mm
J	243 mm
L	571 mm
L1	651 mm
N	15 mm
S	25,4 mm
T	288 mm
Bolt (G)	M12
A2	38 mm
J1	240 mm
J2	63 mm
Weight	21,4 Kg
Basic dynamic load rating (C)	52,4 kN
Basic static load rating (C0)	36,2 kN