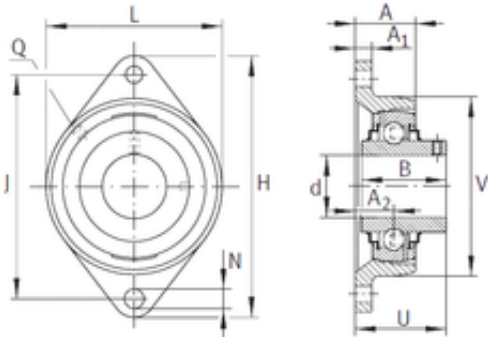




# Air Suspension Bearing Co., Ltd

## INA RCJTY1-3/4 bearing units



Bearing No. RCJTY1-3/4

RCJTY1-3/4 Bearing 2D drawings and 3D CAD models

Bore Diameter	44,45 mm
d	44,45 mm
V	111,989 mm
U	54,204 mm
Thread (Q)	1/8 NPT
A	38,506 mm
A1	15,011 mm
B	49,2 mm
H	180,492 mm
J	148,514 mm
L	111,989 mm
N	13,995 mm
A2	24,003 mm
Category	Flange Block Bearings
Inventory	0.0
Manufacturer Name	SCHAEFFLER GROUP
Minimum Buy Quantity	N/A
Weight / Kilogram	2.1
Product Group	M06110
Number of Mounting Holes	2
Mounting Method	Set Screw
Housing Style	2 Bolt Flange Block
Rolling Element	Ball Bearing
Housing Material	Cast Iron
Expansion / Non-expansion	Non-expansion
Mounting Bolts	27/49 Inch



## Air Suspension Bearing Co., Ltd

Relubricatable	Yes
Insert Part Number	GY1112KRRB
Seals	Double Land Riding Rubber Contact
Housing Configuration	1 Piece Solid
Pilot Configuration	No Pilot
Inch - Metric	Inch
Long Description	2 Bolt Flange Block; 1-3/4" Bore; 5.8" Bolt Circle; 5.847" Bolt Spacing; 1 Piece Solid; Set Screw Mount; Cast Iron; Ball Bearing; 1-15/16" Length Thru Bore; Relubricatable; Double
Other Features	Single Row   With Grub Screw
Category	Flange Block
UNSPSC	31171501
Harmonized Tariff Code	8483.20.40.40
Noun	Bearing
Keyword String	Flanged
Manufacturer URL	<a href="http://www.ina.com">http://www.ina.com</a>
Manufacturer Item Number	RCJTY1-3/4
Weight / LBS	4.631
Cartridge Pilot Depth	0 Inch   0 Millimeter
Cartridge Pilot Diameter	0 Inch   0 Millimeter
Nominal Bolt Circle Diameter Round	5.8 Inch   148 Millimeter
Bore	1.75 Inch   44.45 Millimeter
Bolt Spacing	5.847 Inch   148.514 Millimeter
Length Thru Bore	1.937 Inch   49.2 Millimeter