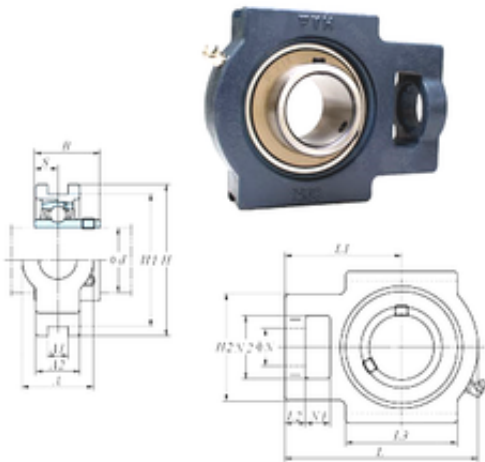




Air Suspension Bearing Co., Ltd

FYH UCTX12-39E bearing units



Bearing No. UCTX12-39E

Bore Diameter	61,9125 mm
d	61,9125 mm
L2	21 mm
L3	121 mm
A	70 mm
A1	27 mm
B	65,1 mm
H	167 mm
H1	150,8 mm
H2	111 mm
L	224 mm
L1	137 mm
N	41 mm
N1	32 mm
S	25,4 mm
A2	48 mm
N2	70 mm
Weight	7,4 Kg
Basic dynamic load rating (C)	57,2 kN
Basic static load rating (C0)	40,1 kN

UCTX12-39E Bearing 2D drawings and 3D CAD models