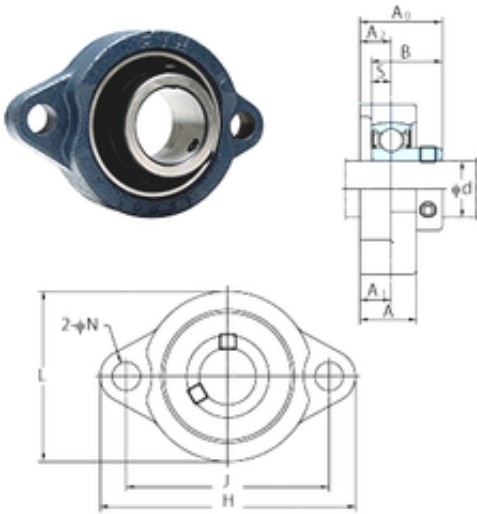




# Air Suspension Bearing Co., Ltd



## FYH BLF206-18 bearing units

Bearing No. BLF206-18

Bore Diameter	28,575 mm
d	28,575 mm
A0	34 mm
A	22,5 mm
A1	12 mm
B	30 mm
H	113 mm
J	90,5 mm
L	76 mm
N	12 mm
S	8 mm
Bolt (G)	M10
A2	12 mm
Weight	0,57 Kg
Dynamic load rating radial (C)	19,5 kN
Static load rating radial (C0)	11,3 kN

BLF206-18 Bearing 2D drawings and 3D CAD models