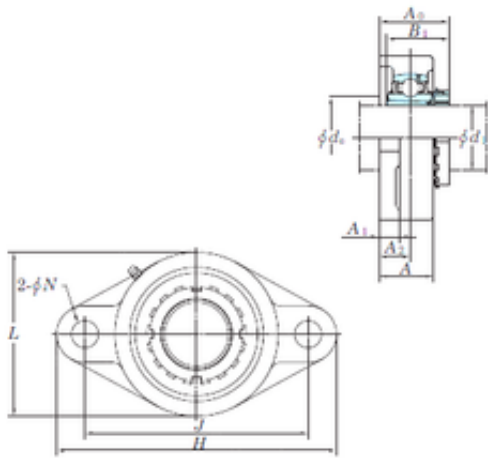




Air Suspension Bearing Co., Ltd

KOYO UKFL316 bearing units

Bearing No. UKFL316



UKFL316 Bearing 2D drawings and 3D CAD models

Bore Diameter	70 mm
d	70 mm
A0	82,5 mm
A	68 mm
A1	32 mm
B1	78 mm
H	355 mm
J	285 mm
L	210 mm
N	38 mm
Bolt (G)	M33
A2	38 mm
Weight	13,9 Kg
Basic dynamic load rating (C)	123 kN
Basic static load rating (C0)	86,7 kN