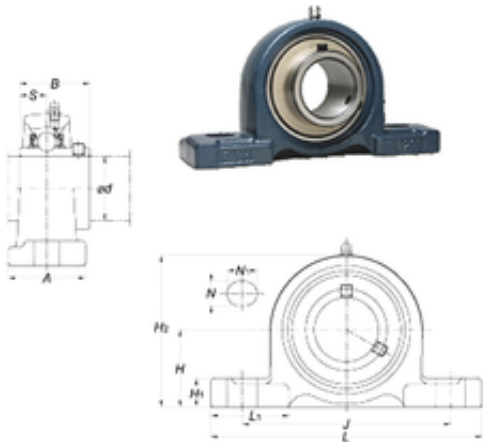




# Air Suspension Bearing Co., Ltd

## FYH UCP217-52 bearing units



Bearing No. UCP217-52

Bore Diameter	82,55 mm
Width	85,7 mm
d	82,55 mm
A	83 mm
B	85,7 mm
H	95,2 mm
H1	32 mm
H2	185 mm
J	247 mm
L	310 mm
L1	90 mm
N	25 mm
N1	40 mm
S	34,1 mm
Bolt (G)	M20
Weight	10,8 Kg
Basic dynamic load rating (C)	84 kN
Basic static load rating (C0)	61,9 kN

UCP217-52 Bearing 2D drawings and 3D CAD models